

P2C 245 C B

P2C 235 C B

Electro-hydraulic two post lifts with base connection for low ceiling height



4500

3500

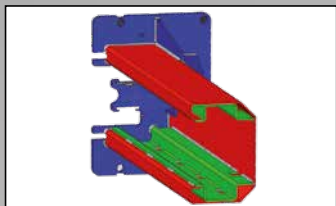




Electro-hydraulic two post lifts with base connection for low ceiling height.

Realignment of the two carriages using metal cables that guarantee **excellent synchronisation**.

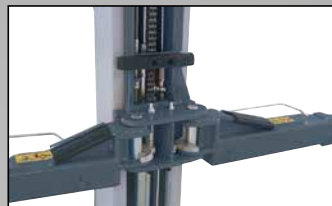
Three-stages asymmetrical lifting arms.



Internally reinforced column structure for little bending and internal cable guiding.



Double threaded lifting pad to ensure excellent vertical adjustment (95=180 mm).



Rubber door protections.
Toothed sector arm rotation stop system



Four three-section asymmetrical arms. Last section of arms very thin (30mm), for easy access to flat vehicles.

TECHNICAL DATA

	P2C 245 CB	P2C 235 CB
Lift capacity	4500 kg	3500 kg
Lifting time	40 s	40 s
Motor	400/230V-3kW-3ph-50 Hz	400/230V-3kW-3ph-50 Hz
Lift max. lifting height	2003 mm	2003 mm
Lift minimum height	100 mm	100 mm

SUPPLIED ACCESSORIES

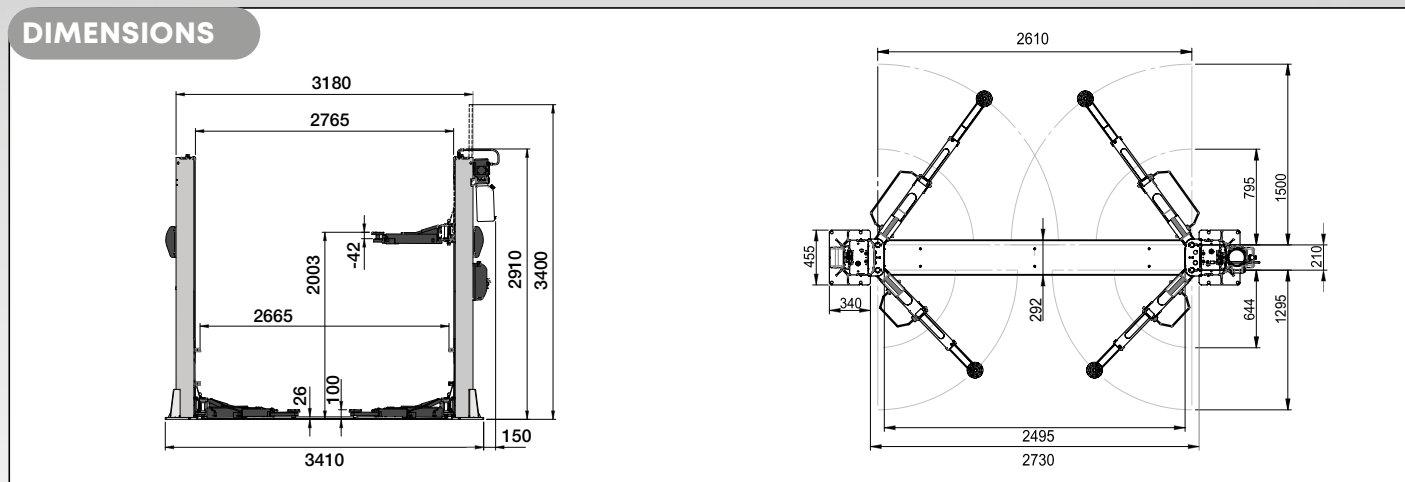
- Mechanical carriage support device on each column ensures optimum working safety.
- Two set of extension pads.

OPTIONAL



- A - 8-43300021** Set of 4 extension for pads, H=35 mm
- B - 8-43300014** Set of 4 extension for pads, H=80 mm
- C - 8-43300015** Set of 4 extension for pads, H=140 mm
- D - 8-43300016** Set of 4 adapters for Mercedes Sprinter

DIMENSIONS



The manufacturer reserves the right to modify the features of its products at any time.



NEXION S.p.A.
www.hpa-faip.it - info@hpa-faip.it

Designed in
ITALY